

MBPCX 40 T4 0,75kW Zone 2: FAN (Ex h IIB T4 Gc) + MOTOR (Ex db IIC T4 Gb) (502304044XD)

GENERAL DATA



PLASTIC ATEX FAN WITH FORWARD IMPELLER

MANUFACTURING FEATURES

- Housing made of PP-el plastic (for models size 35 and equal to or greater than size 45) other models PE-el casing
- Forward curved impeller in PP plastic.
- Motor support made of rolled steel sheet with polyester powder finishing coat.
- Stainless steel nuts and bolts.
- Standard asynchronous squirrel-cage motor, IP-55, class F insulation. Standard voltages 230/400V 50Hz for three phase motors up to 4kW and 400/690V 50Hz for higher powers. Equipped with ATEX motors

- Available positions (to be indicated in case of order): LG270, LG0, LG45, LG90, LG135, LG180, LG225, LG315, RD0, RD45, RD90, RD135, RD180, RD225, RD270, RD315.
- The indicated codes correspond to the model in position LG270

APPLICATIONS

Designed for inline installation, they are suitable for:

- Corrosive air transport.
- Chemical and petrochemical industry.
- Laboratories and gas cabinets.
- General ventilation in closed environments classified as ATEX zone 2.
- Maximum temperature of transported air: If it is clean air 70°C, other depends on the gas (see table in documentation)

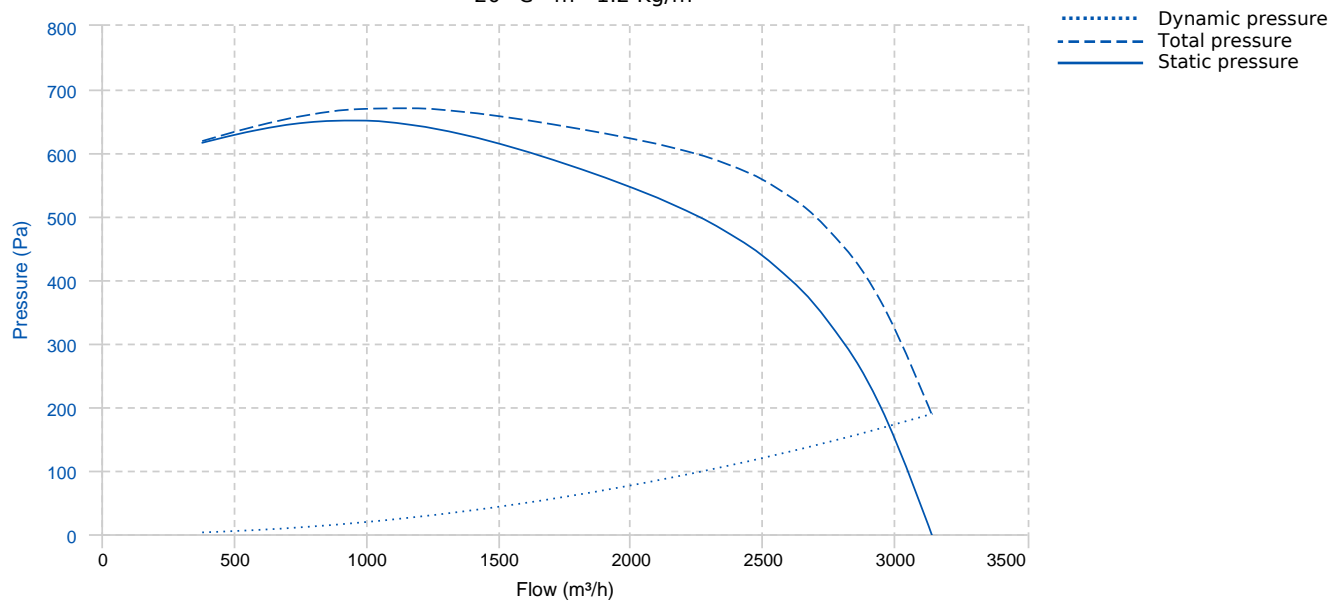
UNDER REQUEST

- 60Hz fans and special voltages fans.
- Stainless steel motor support.

In compliance with the ATEX Directive 2014/34/UE. Certified ATEX IIIG with certified ATEX motor for areas 2 (gas)

PERFORMANCE CURVE

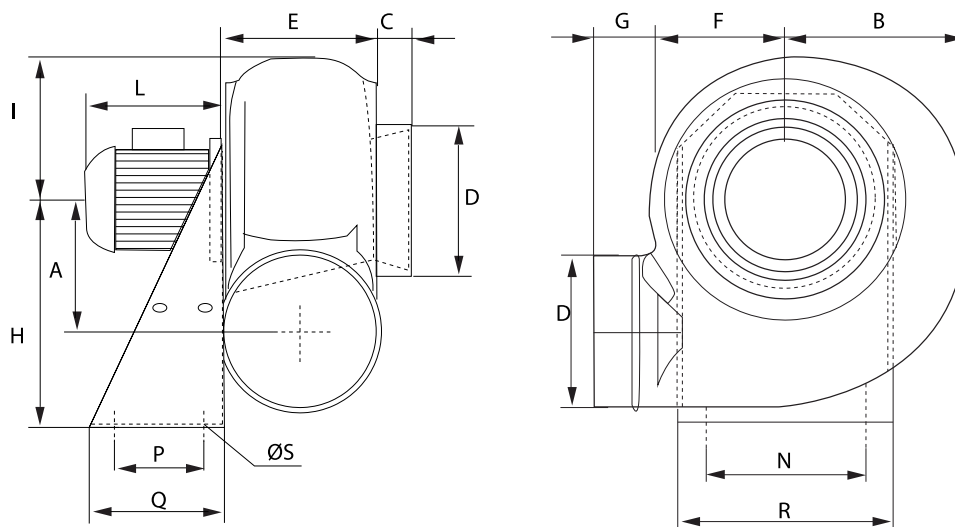
20 °C - m - 1.2 Kg/m³



TECHNICAL DATA

Fan							
RPM	1410	Approx. weight	41 kg	Max. Flow	3140 m³/h		
Motor							
Power	0,75 kW	RPM	1410	I max. (400V)	2,1 A	Size	80
Approx. weight	11 kg	Efficiency (%)	68 %	FP	0.75		

DIMENSIONS



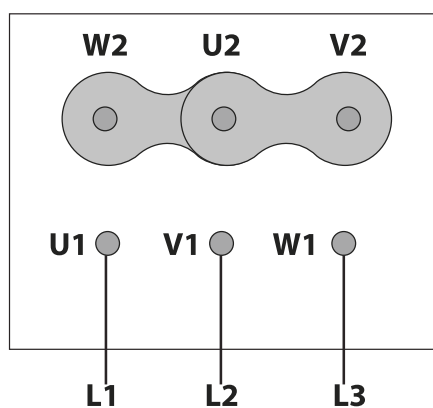
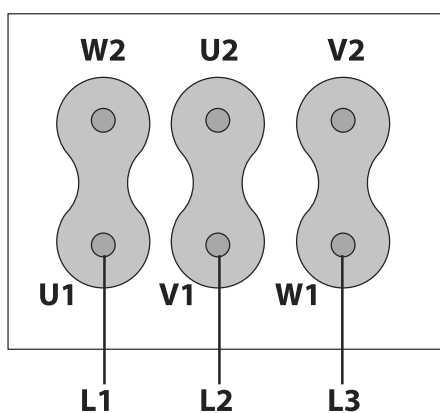
Dimensions (mm)

A	290	B	380	C	40	DØ	250	E	194
F	265	G	80	H	495	I	330	L	240
N	330	P	170	Q	250	R	365	ØS	11

WIRING DIAGRAM

230V 

400V 



ACCESSORIES



ANTI-VIBRATING FLANGE 400°/2H
BA-400 25
REF: 960002051



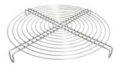
ATEX SWITCH
INT 16 ATEX
REF: 510200016X



DIFUSOR GRID
DG Ø250
REF: DG250



ADJUSTABLE DAMPER
AD Ø250
REF: AD-250



STAINLESS STEEL PROTECTION GRID
RPI Ø250
REF: RPI250



ANTI-VIBRATION BLOCK
AV 2
REF: AV-2



FREQUENCY SPEED CONTROLLER
SFC 400 III 2,2A *
REF: SFC400III2



ANTI-VIBRATION SPRING BLOCK
AVS (GENERIC)



ANTI-VIBRATION JOINT
JE 45
REF: A-300719201



PVC FLEXIBLE JOINT
FJ Ø250
REF: FJ-250



CIRCULAR GRAVITY DAMPER
CSC Ø250
REF: CSC250



DRAIN PLUG
PD 1
REF: PD1



WALL SUPPORT
WS 1
REF: WS1

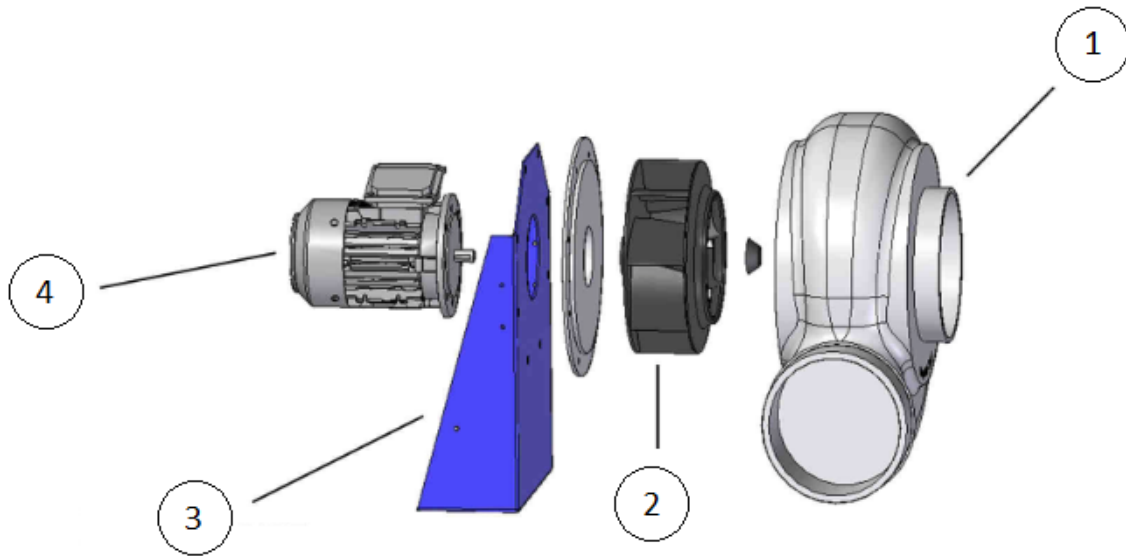


FREQUENCY SPEED CONTROLLER
SFC 230 I 4,2A *
REF: SFC230I004



ANTI-VIBRATION RUBBER BLOCK
AVR (GENERIC)

SPARE PARTS



	Code	Model	Qty
1	T03104044	IMPELLER MBPCX 40 T4 0,75 kW LG	x1